
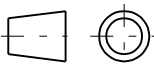


MATERIAL: ABS

REV	POSITION	DESCRIPTION	DATE	NAME
			UNIT mm	TYPE DRAFT DRAWING
ART. 1128		FILENAME *****	CREATED BY *****	FORMAT A4
PROJECT NAME *****		CLIENT *****	CREATION DATE *****	REVISION ***
			PART CODE *****	SHEET 1 / 1
			TOOL CODE *****	
			CHECKED BY *****	CHECKED_DATE *****